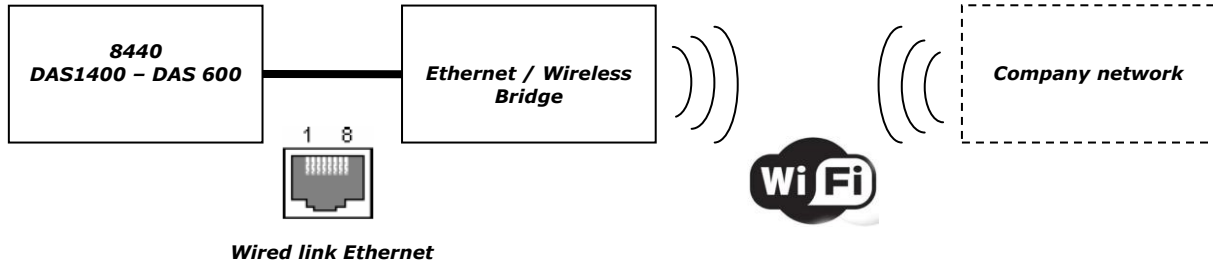


These instructions explain the Ethernet / Wireless bridge installation for SEFRAM 8440 – DAS1400 – DAS 600 recorders. In our example, this bridge will be used in a simple point-to-point network for the implementation of a recorder in the company wireless network.

Operating principle

Principal diagram

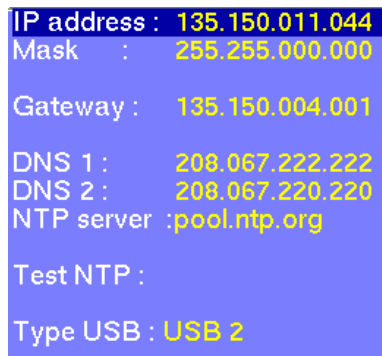


This type of Ethernet / Wireless bridge is used to connect the recorder to a company wireless network. Thus, the recorder can be monitored by remote applications, particularly with the software SEFRAM Pilot.

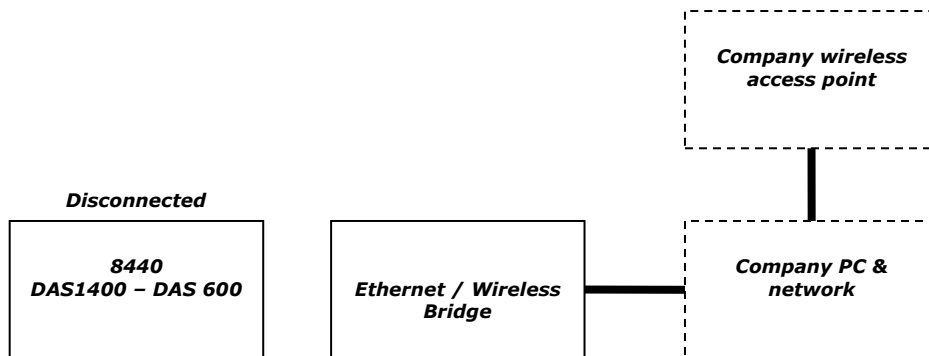
Recorder setting

To go to the network parameters of the recorder, press « Set-up » / « Ethernet » line / « Option » / « modif » keys. In this menu, it is necessary to configure the different components according to company network parameters (contact your network manager).

Network configuration window



Ethernet / Wireless bridge and wireless access point configuration



Before operating, Ethernet / Wireless bridge has to be preset. Refer to user's manual to know the preliminary instructions for its installation on the network. In general, a default IP address, a login and a password are provided. The different elements have to be set according to the network parameters set up in your company.

Once the presets performed, Ethernet / Wireless bridge has to be setup before being connected to the recorder. For this, connect it on the company network and launch a communication via your web navigator by inputting its IP address in the URL bar. The bridge control window is displayed. This window depends on the bridge used but the setting of each one follows the principle below.

- 1) Press on the menu corresponding to bridge settings
- 2) In the setting window, tick « Wireless Point To Point bridging » settings and, if necessary « Enable wireless Client Association » option (enables the wireless customers such as laptops, to use access points to be connected to the network). Then, fill in the Mac address field of the wireless access point to which you have to be connected (written down on its case).
- 3) Confirm the changes performed by pressing « Apply ».
- 4) Once the configuration is complete, restart the bridge.

Below, the setting window corresponding to the use of a bridge.



Do not forget to perform the same operation to set the second access point (here wireless access point of the company). This access point can be another bridge or standard wireless point. In any case, settings are similar to the detailed one (network type, Mac address of the bridge, confirm and restart).

Setting window of bridge

**IP Settings**

**Wireless Settings**

**Security Settings**

**Access Control**

**Management**

Change Password

Upgrade Firmware

Restore Factory Default

Station List

Reboot AP **4**

**Advanced**

Wireless Settings

Wireless Bridging **1**

**Web Support**

Knowledge Base

Documentation

**Logout**

**Access Point Mode**

Access Point

**Wireless Point-to-Point Bridging**

Enable Wireless Client Association **2**

Remote MAC Address: 00 : 22 : 3F : 00 : 7A : 8A

Wireless Multi-Point Bridging

Enable Wireless Client Association

Remote MAC Address: [ ] : [ ] : [ ] : [ ] : [ ] : [ ]

Repeater with Wireless Client Association

Remote MAC Address: [ ] : [ ] : [ ] : [ ] : [ ] : [ ]

Client Mode

DHCP Client:  Enable  Disable

IP Address: 135.150.4.10

IP Subnet Mask: 255.255.0.0

Default Gateway: 135.150.4.1

MAC Clone:  Enable  Disable

MAC Clone Address: [ ] : [ ] : [ ] : [ ] : [ ] : [ ]

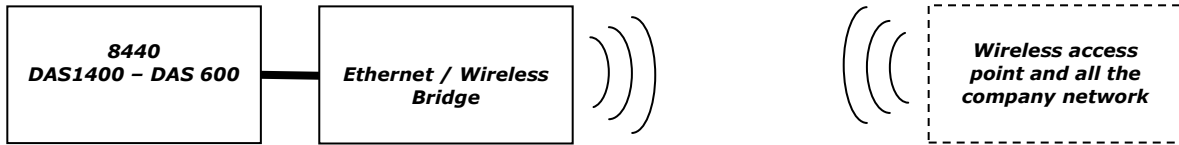
---

**Wireless Remote Access Point List**

Remote Access Point	MAC address	SSID	Channel	Signal Strength
1	00:22:3F:00:7A:8A	NETGEAR	11	25

**3**

**Recorder connection to network**



The bridge and the access point configured, you have to connect the recorder to the bridge and start the communication process with the network. By using SEFRAM Pilot, it is now possible to remotely monitor the recorder through a wireless connection.



It can be interesting to test the communication between the unit and the network regardless to other settings. From a PC, go to « start » / « execute » / « cmd » and confirm. A command prompt is opened, input « ping <recorder IP address > » (here, 135.150.011.044) to check that the recorder is reachable. If the connection is not established, check the network settings of the different units.

**Note**

During the configuration with the network, it is important to properly set the fields concerning the security of your communications. The wireless fidelity (IEEE 802.11i) offers options for the security as well as the access control in the support (MAC address) and data encryption (WPA2 and its derived). To enter these menus, you have to be connected to the bridge (and to the wireless access point) and access the specific tabs for the security. Below, the window corresponding to the settings of our bridge.

**Setting window concerning the network security**

- Information
- Setup**
- IP Settings
- Wireless Settings
- Security Settings
- Access Control
- Management**
- Change Password
- Upgrade Firmware
- Restore Factory Default
- Station List
- Reboot AP
- Advanced**
- Wireless Settings
- Wireless Bridging
- Web Support**
- Knowledge Base
- Documentation
- Logout**

### Security Settings

Wi-Fi Protected Access with pre-shared key (WPA-PSK/WPA2-PSK)

---

Security Type WPA-PSK/WPA2-PSK ▾

---

Encryption Type TKIP and AES ▾

---

Use WPA with pre-shared key

Password Phrase  (8-63 characters)

---